

INSTRUCTION MANUAL

**COMPUTER
DESK
Model: OR-LD02,
OR-LD04**

ENGLISH

GB



OR-LD02



OR-LD04

Please, read the manual before using the equipment

Save this manual for future reference.

Description:

Computer desk ORION OR-LD02/OR-LD04 combines functionality, reliability and modern design. Using a folding, compact and lightweight computer desk ORION OR-LD02/OR-LD04, you can comfortably work with your laptop almost anywhere: on the couch, on the floor, in bed. Computer desk ORION can be easily assembled and disassembled. It has little weight in folded state, needs not much space, so that you can take it on your business trip or when you travel.

The product is structured by aluminum ally and plastic, the desk is fixed once the handle is screwed down. While the handle is screwed and the sleeve is pushed downwards, any motion to fold will cause the bracket Locked and the system damaged.

Please notice: you should press down the in-phase locking clasp to release the bracket in-phase connection, open the extension tie-in button, and then fold. Otherwise you will make damage to the product; Anydamage caused by this, our company can't guarantee repair.

You can disassemble the handle and the table top carefully to move, turn 180 And then assemble. It will flit your need more comfortably.

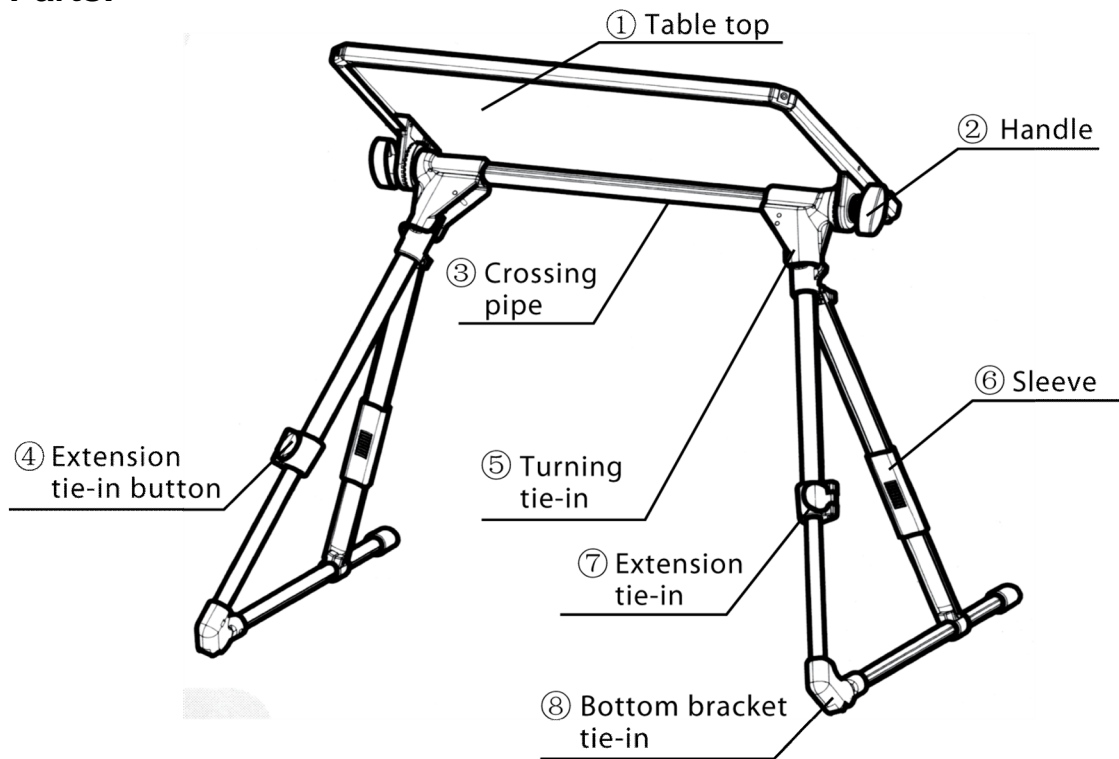
Features OR-LD02:

- Material: Aluminium alloy and black plastic
- Color: black
- Product size (folded): 39 (L)* 27,3 (W) * 6,5 (H) cm
- Gift box soze: 40,8 (L)*27.5 (W)*7.5 (H) cm
- Panel angle range: -30 ~ 160 °
- Desk height scope: 25-36 cm
- Weight: 0,58 kg

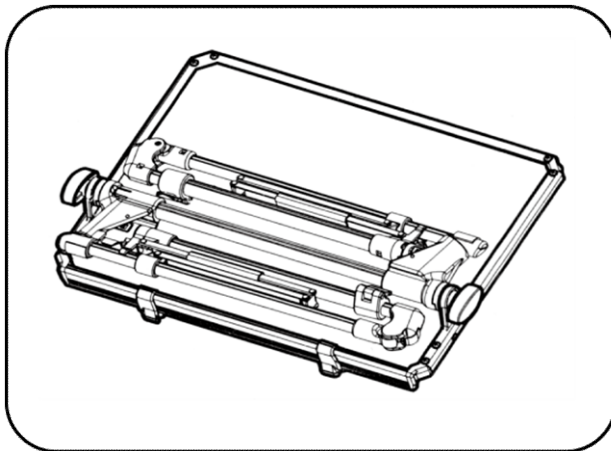
Features OR-LD04:

- Material: Aluminium alloy and black plastic
- One cooling fan
- Color: black
- Product size (folded): 51 (L)* 28,5 (W) * 6,5 (H) cm
- Gift box soze: 55 (L)*29.5 (W)*8 (H)
- Panel angle range: -30 ~ 160 °
- Desk height adjustment
- Weight: 1,2kg (with box)
- Distance between legs 70 cm

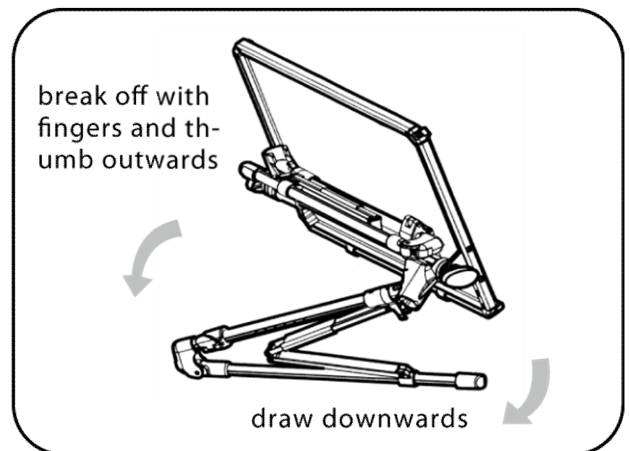
Parts:



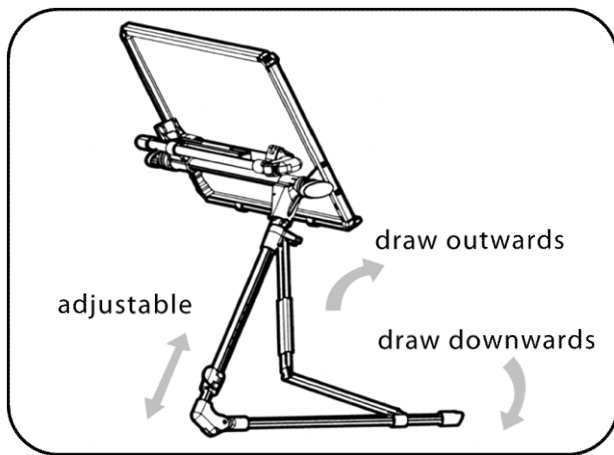
Operation Method for Notebook Computer Folded Desk



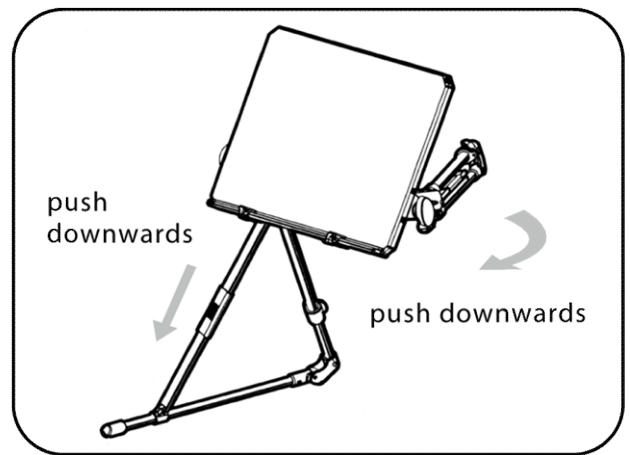
1. Take out the notebook desk from the package box. Read the instruction and try to familiar with the opening and folding.



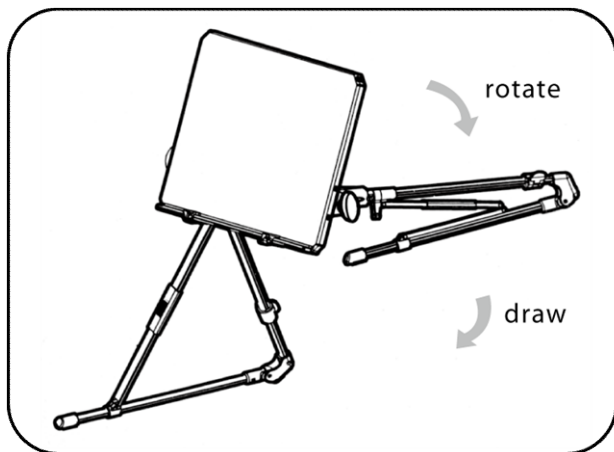
2. Turn the turning tie-tie as the center of circle, open the bracket until it is automatically locked tightly.



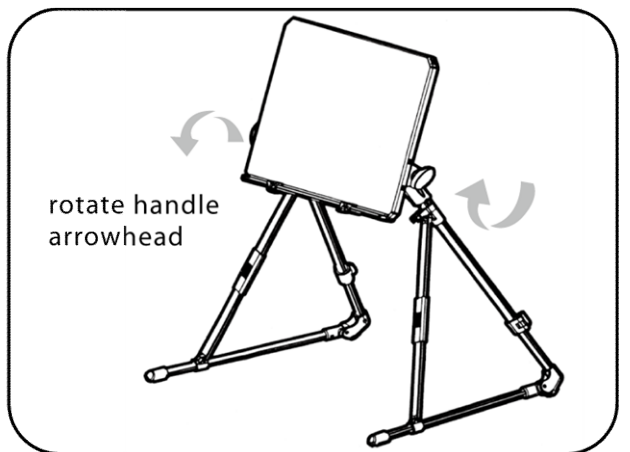
3. Open the extension tie-in button, and draw the folded parts downwards.



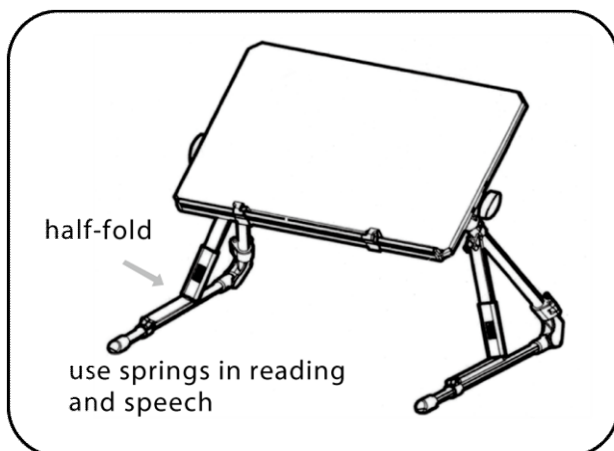
4. Push downwards the sleeves to make the folded parts of the brackets fixed.



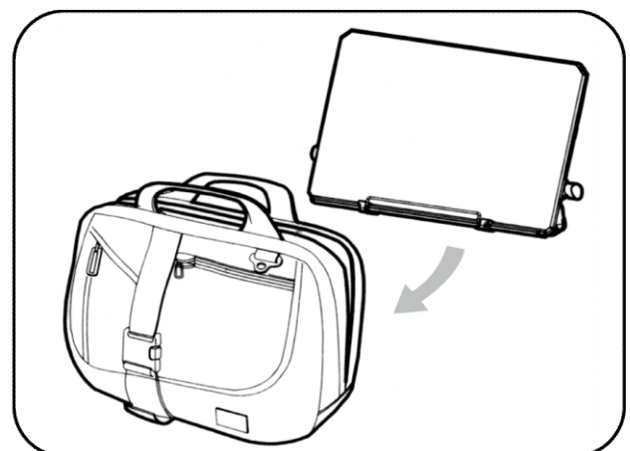
5. Use the same method and process to open, lock.



6. Adjust the table top to the desired angle, turn the handle clockwise to fix the table top.



7. In work, if you need to adjust the table top to the minimum height, push the sleeve upwards and make it half-folded and sustained, which can be used on office desk in lecture.



8. After use, please open the in-phase locking clasp. unlock the bracket, and begin folding according to the opening method to operate in the reverse direction. Lastly put the desk into the notebook bag.

Examples of usage:



Terms and conditions of Good safe and efficient utilization

The place of storage should be inaccessible for direct sun rays, high humidity. Avoid mechanical damages of the device. Storage conditions: Temperature: -5°C+50°. To prevent possible harm to the environment or human health from uncontrolled waste disposal, recycle it responsibly to promote the sustainable reuse of material resources. To return your used device, please use the return and collection systems or contact the retailer where the product was purchased. They can take this product for environmental safe recycling.

Warranty obligations of the manufacturer

Computer desk OR-LD02/OR-LD04 conforms to the approved sample. This device is completely safe to use and doesn't make a harmful effect on the environment if the owner observes all the rules that are stated in this Instruction Manual. Warranty period for this device is 12 months from the date of purchase excluding the time spent in service center. The owner of the device has guarantee rights if warranty card is filled in correctly. Details regarding guarantee conditions can be obtained from the dealer from whom the appliance was purchased.

Name: ORION OR-LD02/OR-LD04

Purpose: Computer desk

Assembled in P.R.C. under strict control of ORION Electronics Ltd

Developed by ORION Electronics Ltd

Address of the developer: 29 Jaszbereni st, Budapest 1106, Hungary, Europe

Manufacturing date: May 2011

Guarantee period: 12 months

Warranty service: "Foxtrot service", Kyiv, 44 Schuseva st.

Product meets sanitary standards, rules and regulations

Product size (folded): 39 (L)* 27,3 (W) * 6,5 (H) cm (OR-LD02)

Product size (folded): 51 (L)* 28,5 (W) * 6,5 (H) cm (OR-LD04)

Weight: 0,58 kg (OR-LD02)

Weight: 1,2kg (with box) (OR-LD04)

Color: black

Extra information on ORION company web-site www.orion.ua

We take your opinion and offers by E-mail support@orion.ua